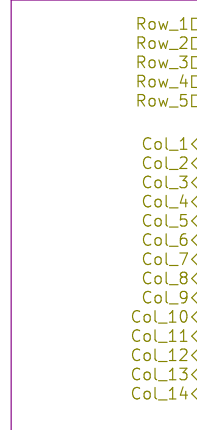
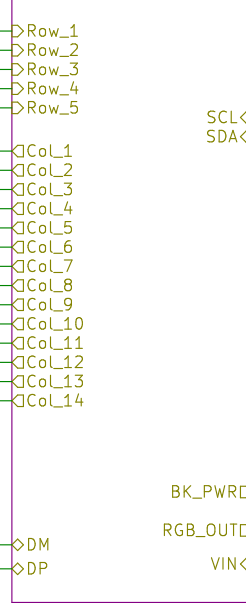


Sheet: switch_matrix



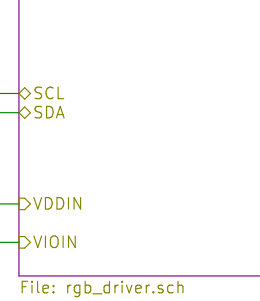
Sheet: mcu



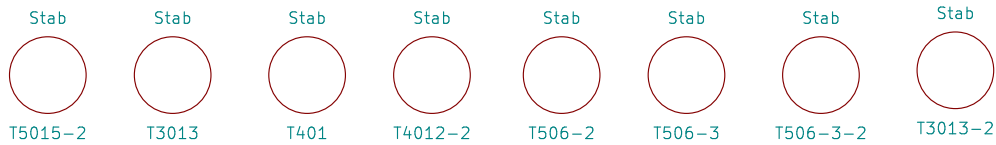
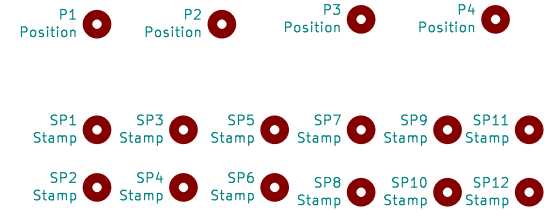
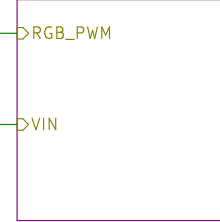
Sheet: usb



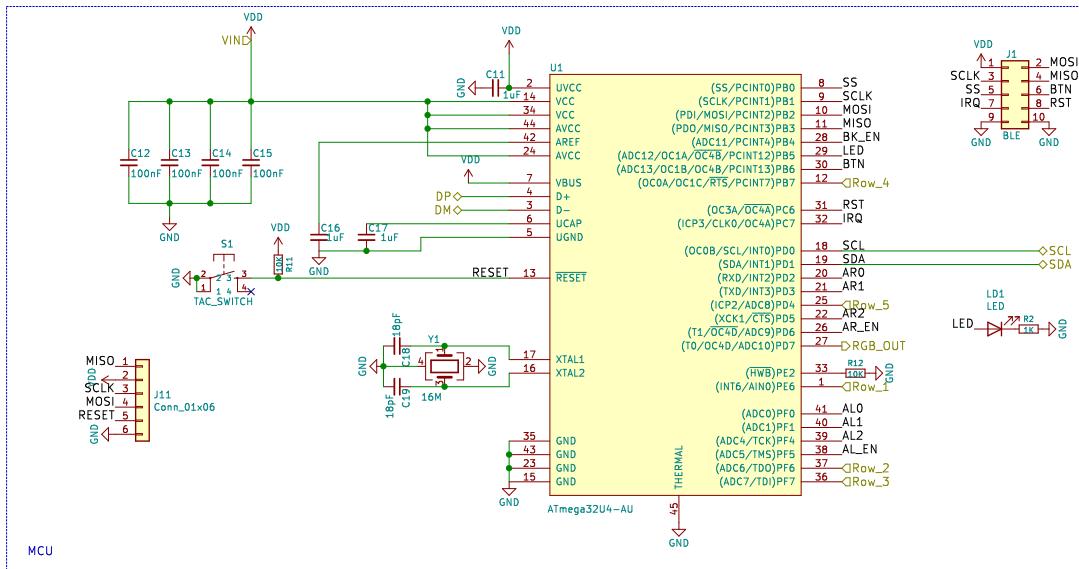
Sheet: rgb_driver



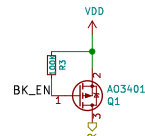
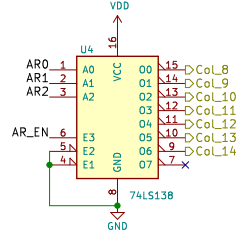
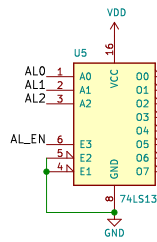
Sheet: rgb_backlight

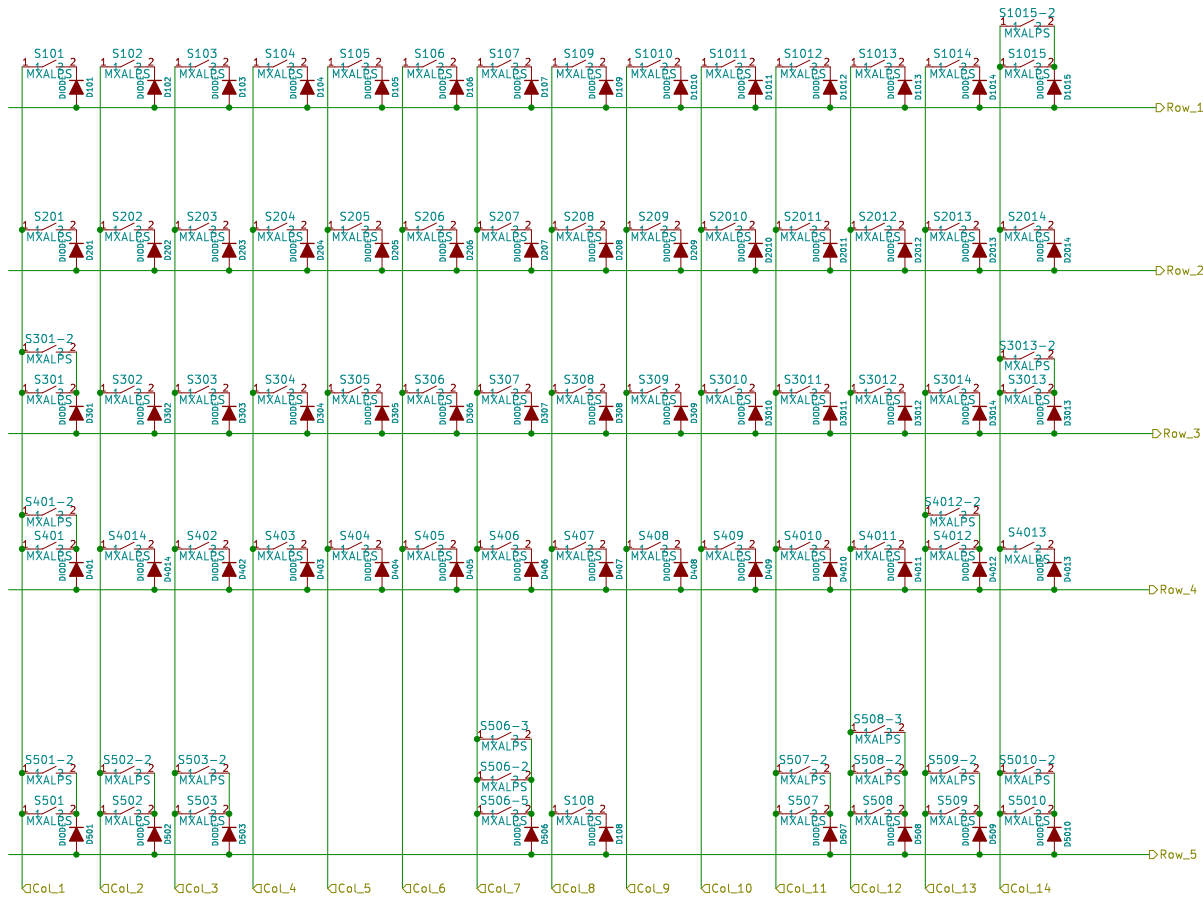


Sheet: /	
File: astro.sch	
Title:	
Size: A4	Date:
KiCad E.D.A. kicad (5.1.12)-1	
Rev:	
Id: 1/8	



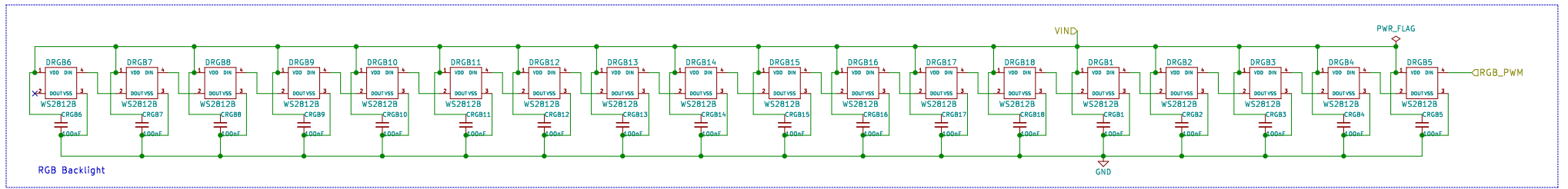
MCU



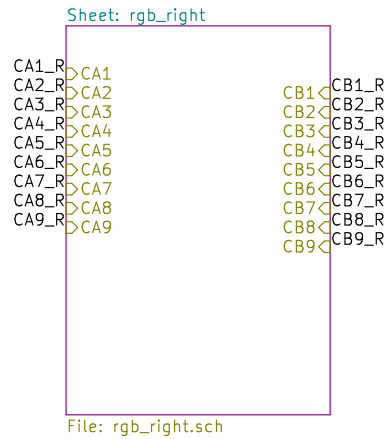
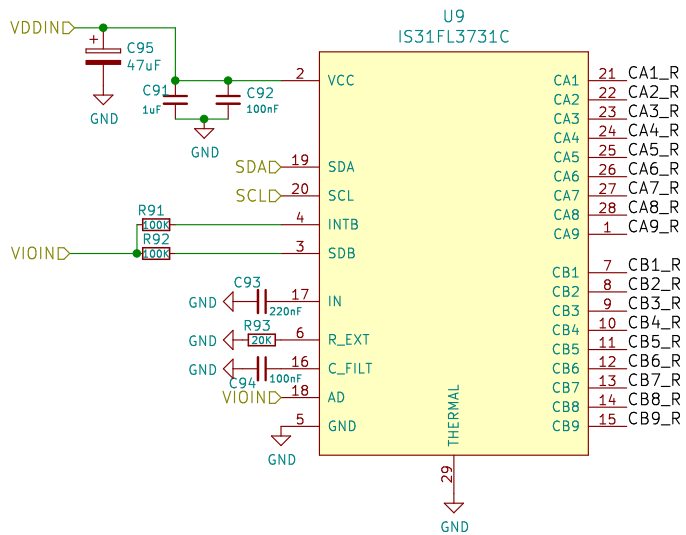
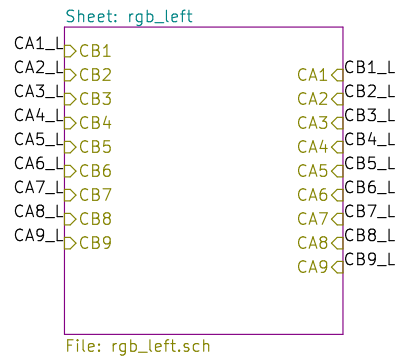
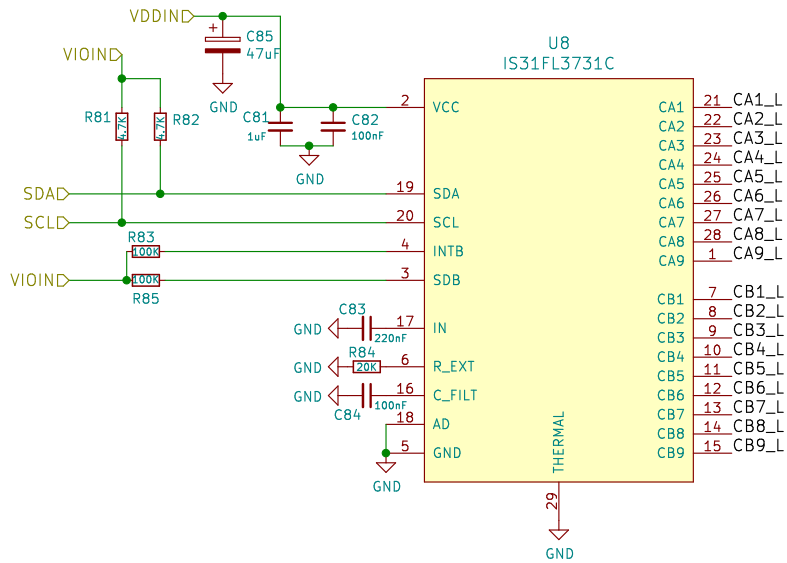


Swit Matrix

Sheet: /switch_matrix/ File: switch_matrix.sch		
Title:		
Size: A3	Date:	Rev:
KiCad E.D.A. kicad (5.1.12)-1		Id: 3/8



Sheet: /rgb_backlight/		
File: rgb_backlight.sch		
Title:		
Size: A3	Date:	Rev:
KiCad E.D.A. kicad (5.1.12)-1		Id: 4/8



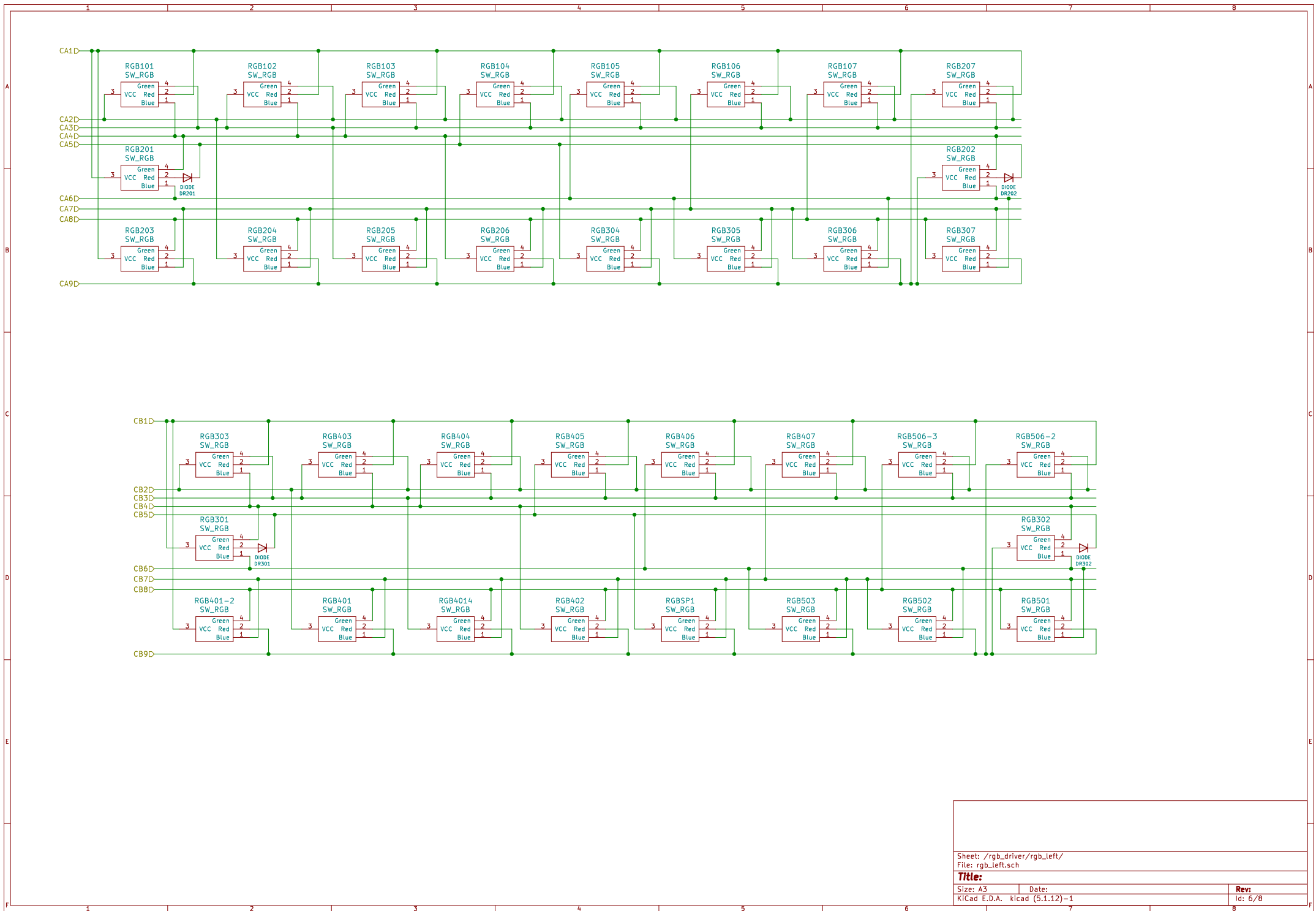
Sheet: /rgb_driver/
File: rgb_driver.sch

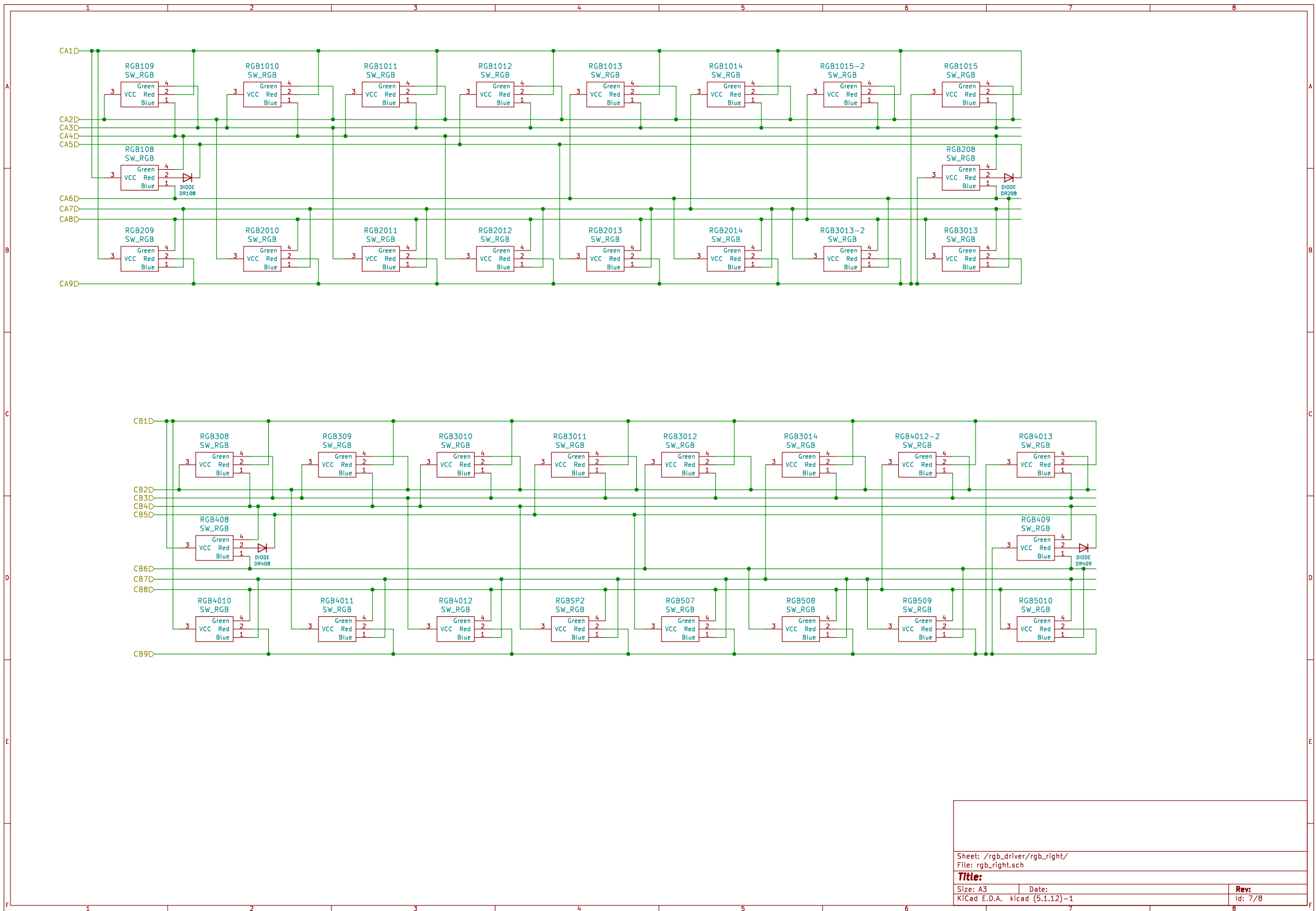
Title:

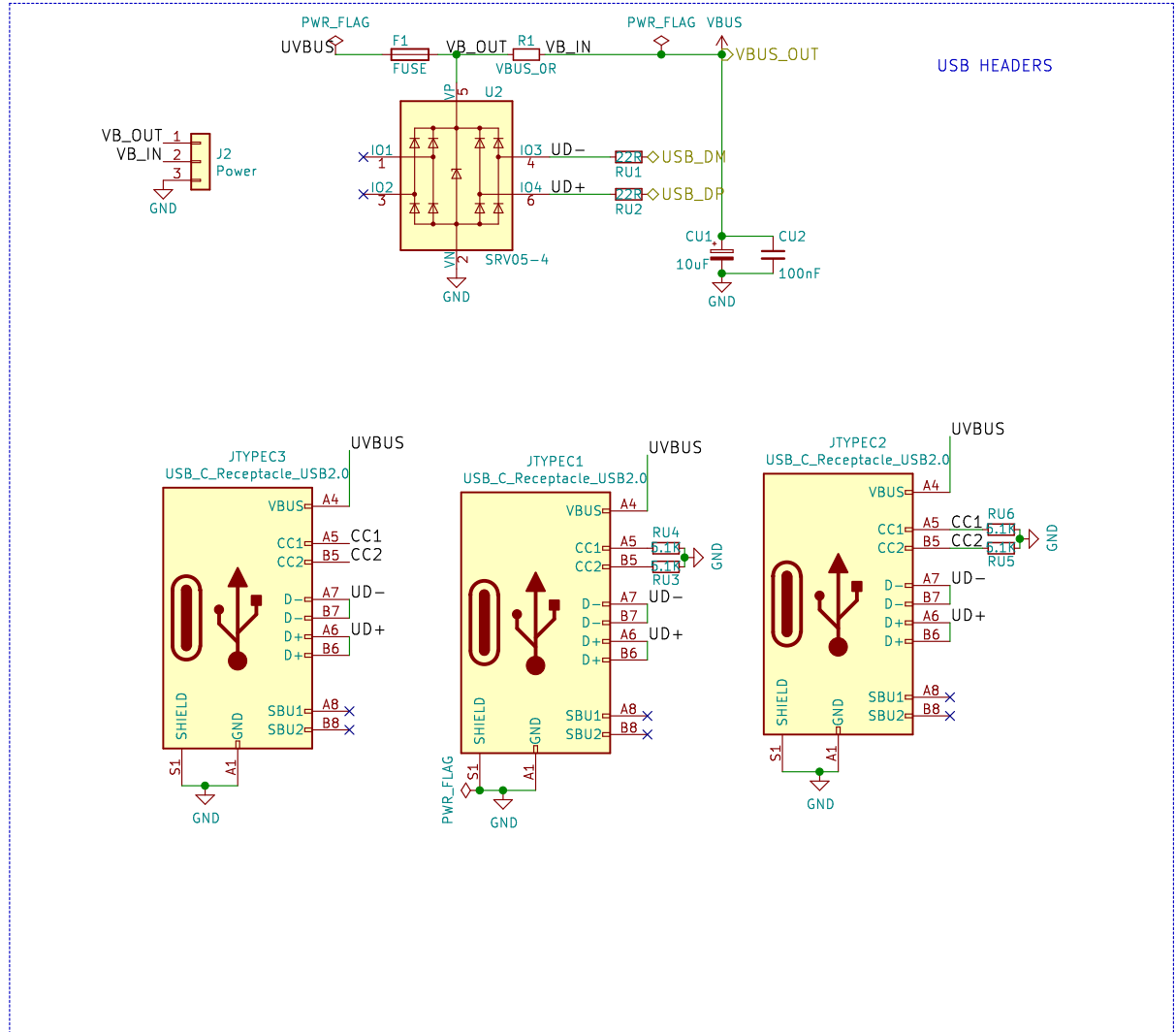
Size: A4
KiCad E.D.A. kicad (5.1.12)-1

Date:

Rev:
Id: 5/8







USB HEADERS

Sheet: /usb/ File: usb.sch	
Title:	
Size: A4	Date:
KiCad E.D.A. kicad (5.1.12)-1	Rev: 8/8